

Illustrated Parts Catalogue



for ROTAX®-engines type

125 MAX evo

125 JUNIOR MAX evo

125 MINI MAX evo

125 MICRO MAX evo

Production: 2020
Configuration: 36.0125.140 **Senior MAX evo**
36.0125.130 **Junior MAX evo**
36.0125.137 **Micro MAX evo**
NO.: 1863
Edition: 01 2020

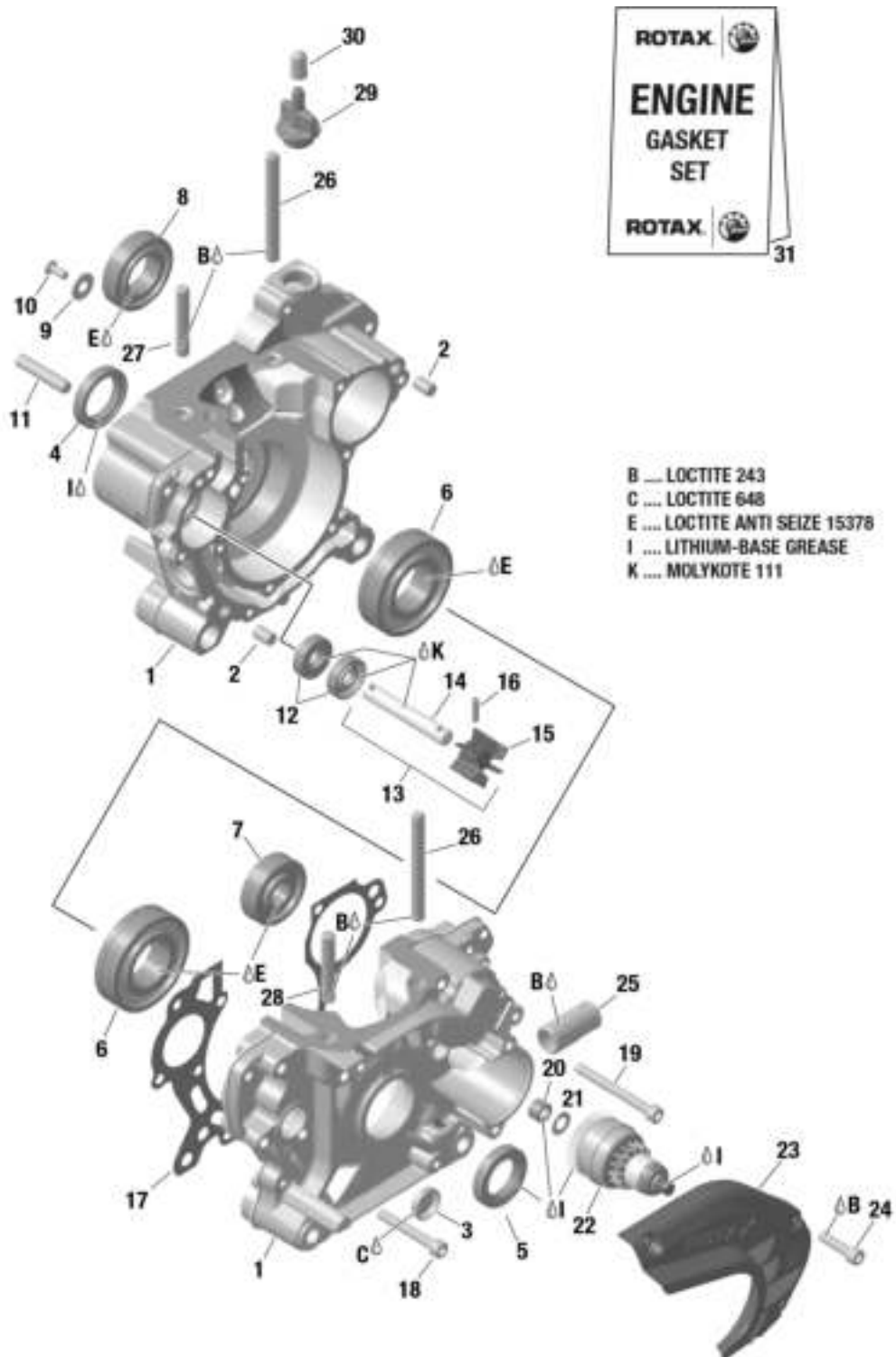
Table of Revision

CHANGE	DATE	CHAPTER	#	PART#	DESCRIPTION
--------	------	---------	---	-------	-------------

Table of Content

CHAPTER	DESCRIPTION	PAGE
1	CRANKCASE. WATER PUMP. E-STARTER DRIVE	4
2	DRIVETRAIN. GEARBOX. BALANCE SHAFT	8
3	CYLINDER	12
4	E-RAVE SYSTEM	16
5	CENTRIFUGAL CLUTCH. SPROCKET	20
6	ELECTRONIC COMPONENTS	26
7	BATTERY. BATTERY CHARGER	30
8	WIRING HARNESS	32
9	CARBURETTOR. CARBURETTOR ACCESSORIES	34
10	RADIATOR. RADIATOR ACCESSORIES	38
11	INTAKE SILENCER. AIR FILTER	40
12	EXHAUST SYSTEM	42
13	EVO UPGRADE KIT IGNITION	46
14	EVO UPGRADE KIT E-RAVE	48
15	REPAIR TOOLS	50
16	SCRUTINEERING TOOLS	52
17	ACCESSORIES	54
18	SERVICE PRODUCTS	56

1 CRANKCASE. WATER PUMP. E-STARTER DRIVE



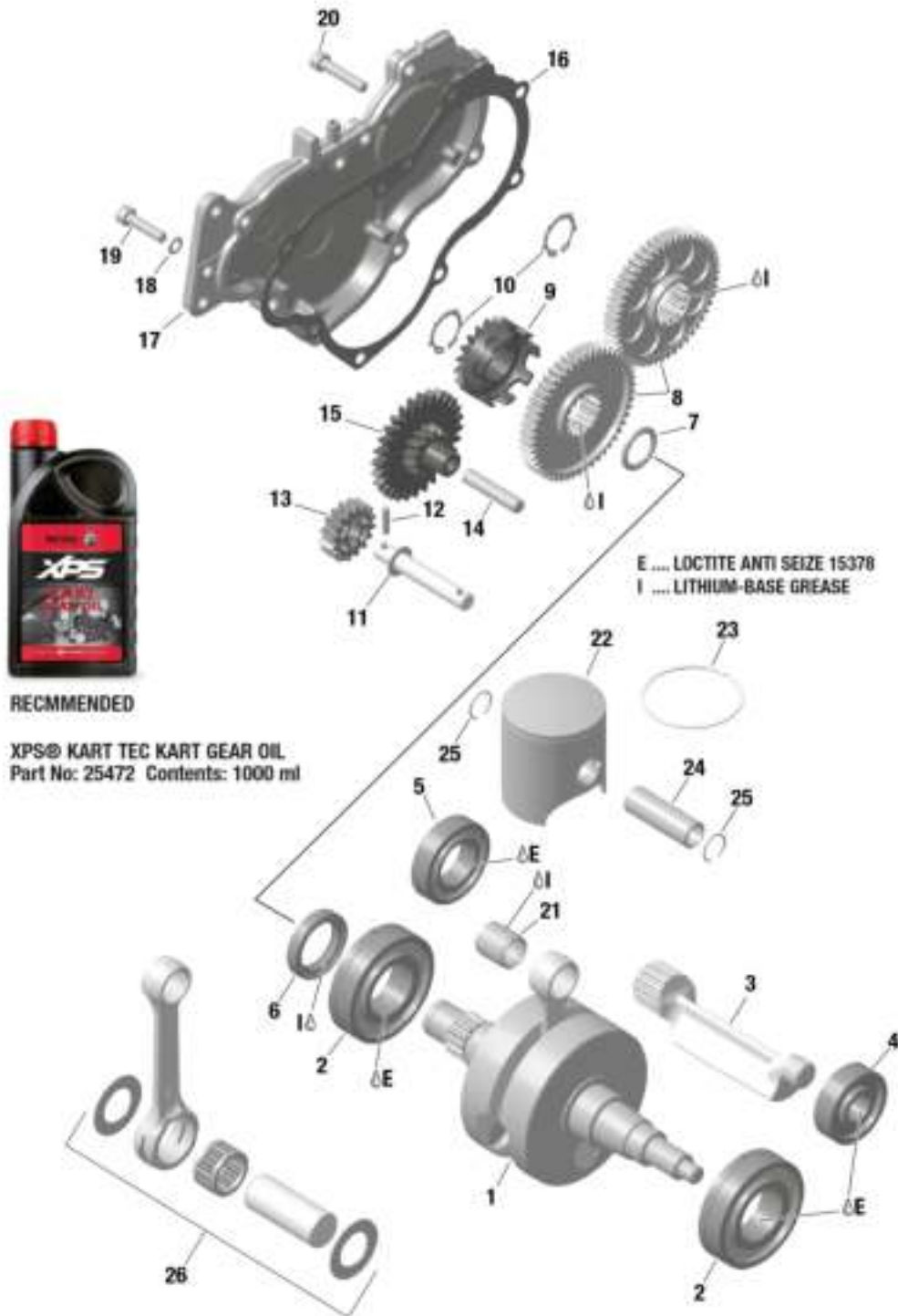
1 CRANKCASE. WATER PUMP. E-STARTER DRIVE

#	NEW	PART#	DESCRIPTION	QTY	CHANGE
1		295915	CRANK CASE ASSY. Ill.no. 1-3 Black coated	1	
2		632010	PIN 8X12 DIN 5402	2	
3	N	427572	COVER 20 DIN 443 VZD B 20	1	
4		230425	OIL SEAL AS 28X38X7 NBR	1	
5		930675	OIL SEAL AS 25X38X7 NBR	1	
6		832533	BALL BEARING 6206 TVH C4M 30-62-16	2	
7		232291	BALL BEARING 6302 TN9C3/15-42-13	1	
8		232341	BALL BEARING 6005 E C3/ 25-47-12	1	
9		227280	THRUST WASHER	1	
10		940316	COUNTERSUNK SCREW M5X12-5.8 Tightening torque 6 Nm	1	
11		229380	LOCATING PIN 8 SMALL M6X40	1	
12		230195	OIL SEAL A 10X26X7 NBR	2	
13		220515	WATERPUMP SHAFT ASSY. Ill.no. 13-16	1	
14		xxx	PUMP SHAFT	1	
15		xxx	IMPELLER	1	
16		229200	DOWEL 4X16	1	
17		650494	GASKET	1	
18		241823	ALLEN SCREW ISO 4762 - M6x45 - 8.8 Tightening torque 10 Nm	8	
19		240371	ALLEN SCREW M6X60 Tightening torque 10 Nm	2	
20		232276	NEEDLE BUSHING 8X12X8	1	
21		227945	THRUST WASHER 8.5/15/0.5	1	
22		294812	STARTER REDUCTION GEAR ASSY.	1	
23		260772	CHAIN PROTECTION	1	
24		840861	ALLEN SCREW M6X25 DIN 912 Tightening torque 5 Nm	3	
25		224094	TUBE	1	
26		940787	STUD M8X57/20 Tightening torque 5 Nm	2	
27		241386	STUD M8X28/20 With hole. for sealing the engine Tightening torque 5 Nm	1	
28		241381	STUD M8X28/20 Tightening torque 5 Nm	1	

1 CRANKCASE. WATER PUMP. E-STARTER DRIVE

#	NEW	PART#	DESCRIPTION	QTY	CHANGE
29		241925	AIR VENT SCREW M18X1.5	1	
30		960770	CLOSURE CAP FOR IMPULSE JOINT	1	
31		296160	ENGINE GASKET SET ASSY. Oil seal (Chap. 04. Pos. 8) not included	1	

2 DRIVETRAIN. GEARBOX. BALANCE SHAFT



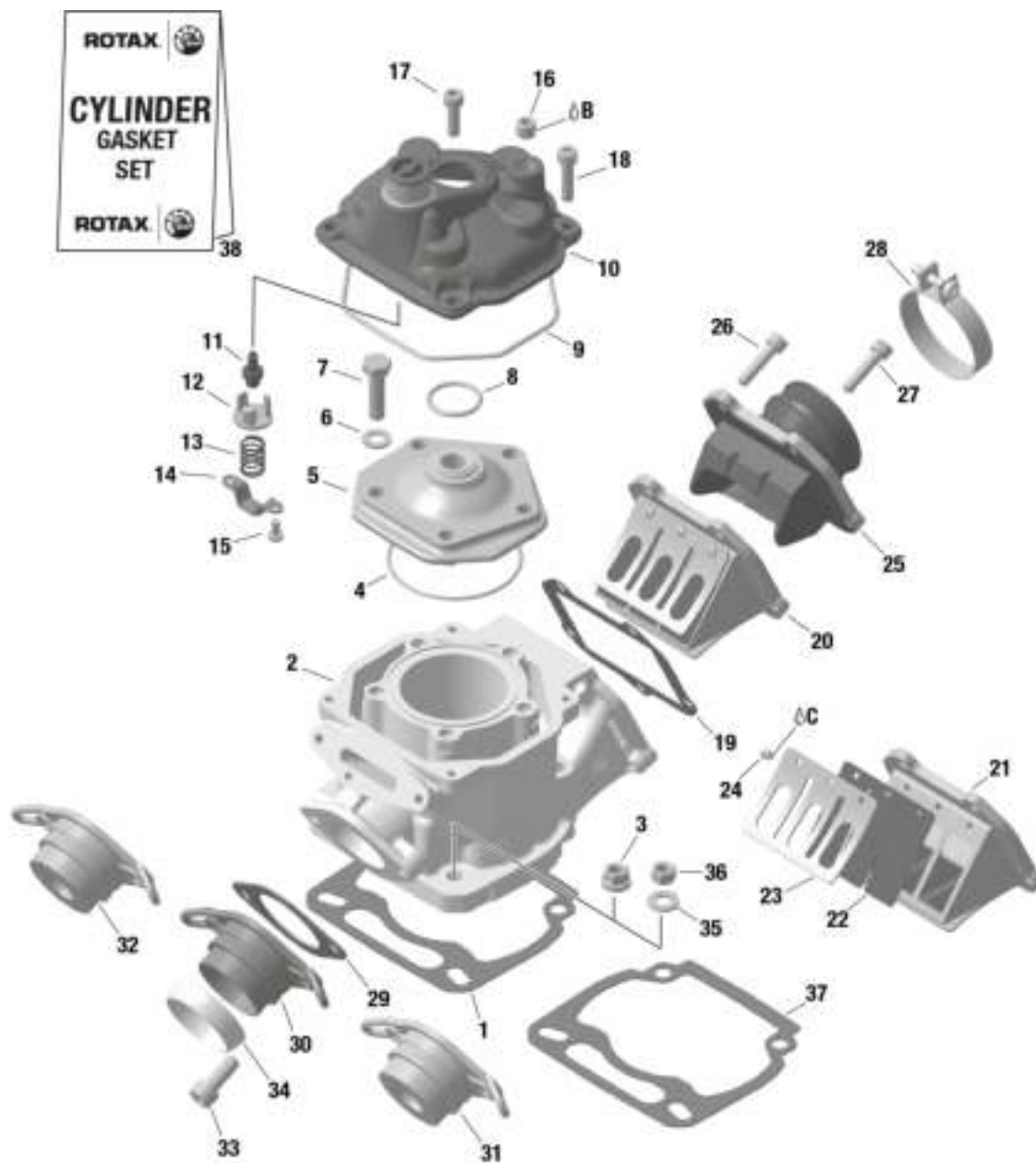
2 DRIVETRAIN. GEARBOX. BALANCE SHAFT

#	NEW	PART#	DESCRIPTION	QTY	CHANGE
1		685096	CRANKSHAFT ASSY.	1	
2		xxx	BALL BEARING 6206 TVH C4M See Chap. 1. Pos. 6	2	
3		237948	BALANCE SHAFT	1	
4		xxx	BALL BEARING 6206 TN9/C See Chap. 1. Pos. 7	1	
5		xxx	BALL BEARING 6005 TNH C3 See Chap. 1. Pos. 8	1	
6		xxx	OIL SEAL AS 28x38x7 NBR See Chap. 1. Pos. 4	1	
7		430460	O-RING 18X3.5	1	
8		234435	BALANCE GEAR 50 T	2	
9		635850	WATER PUMP GEAR 19 T	1	
10		945664	RETAINING RING WITH LUG DIN 983-20X1.2	2	
11		827590	THRUST WASHER 10.1/17/1	1	
12		232731	NEEDLE PIN 4X15.8 G3 DIN 5402	1	
13		234415	WATER PUMP PINION 16 T	1	
14		xxx	LOCATING PIN 8 SMALL M6x40 See Chap. 1. Pos. 11	1	
15		634035	IDLE GEAR 28/13 T.	1	
16		650476	GASKET	1	
17		211875	GEAR COVER Black coated	1	
18		230415	SEALING RING A 6X10 DIN 7603	1	
19		840861	ALLEN SCREW M6X25 DIN 912 Tightening torque 10 Nm	6	
20		840880	ALLEN SCREW ISO 4762 M6X30 8.8 Tightening torque 10 Nm	2	
21		932027	NEEDLE CAGE K 15X19X20	1	
22	N	295509	PISTON ASSY. 53.92 MM Ill.no. 22-23 Smaller size	1	
22	N	295510	PISTON ASSY. 53.93 MM Ill.no. 22-23 Smaller size	1	
22		295511	PISTON ASSY. 53.94 MM Ill.no. 22-23 Standard	1	

2 DRIVETRAIN. GEARBOX. BALANCE SHAFT

#	NEW	PART#	DESCRIPTION	QTY	CHANGE
22		295512	PISTON ASSY. 53.95 MM Ill.no. 22-23 Standard	1	
22		295513	PISTON ASSY. 53.96 MM Ill.no. 22-23 Standard	1	
22		295515	PISTON ASSY. 53.98 MM Ill.no. 22-23 Oversize	1	
22		295514	PISTON ASSY. 53.97 MM Ill.no. 22-23 Oversize	1	
23		215548	RECTANGULAR RING IS2-54/49.4X1 Original with ROTAX logo	1	
24		216135	PISTON PIN 15X10/12.5X45.6	1	
25		945635	CIRCLIP 15 Use only once	2	
26		685011	CRANKSHAFT REPAIR KIT	1	

3 CYLINDER



B LOCTITE 243
C LOCTITE 648

3 CYLINDER

#	NEW	PART#	DESCRIPTION	QTY	CHANGE
1		650483	GASKET 0.4 MM	0.01	
1		650482	GASKET 0.8 MM	0.01	
1		650481	GASKET 0.5 MM	0.01	
1		650480	GASKET 0.3 MM	0.01	
1		431337	GASKET 0.2 MM Gasket for racing purpose only To ensure proper sealing please use Silicone Compound Grease 897061	0.01	
2		613372	CYLINDER NI SI C PLATED Single Core Digital Print For 125 SENIOR MAX ONLY	1	
2		223991	CYLINDER NI SI C PLATED Single Core Digital Print For 125 MICRO / MINI / JUNIOR	1	
3		242707	COLLAR NUT M8 Tightening torque 24 Nm	4	
4		250160	O-RING 64X2	1	
5		223386	COMBUSTION CHAMBER INSERT	1	
6		945832	LOCK WASHER DIN 128-A8-FST	5	
7		940487	HEX.SCREW ISO 4017 - M8X30 - 10.9 Tightening torque 30 Nm	5	
8		430782	O-RING DIN 3771-23.3X2.4-N. MVQ 60	1	
9		250280	O-RING 105X2.5	1	
10		613104	CYLINDER HEAD COVER RED	1	
11		222125	THERMOSTAT. 45 DEGR. Optional	1	
12		222175	THERMOSTAT HOLDER Optional	1	
13		239950	COMPRESSION SPRING Optional	1	
14		222202	THERMOSTAT RETAINING BRACKET Optional	1	
15		240195	TAPTITE-SCREW M4X8 Tightening torque 3 Nm Optional	2	
16		641323	PLUG SCREW M10X1 DIN 906 - MK Tightening torque 10 Nm	1	
17		241935	ALLEN SCREW ISO 4762 - M6x20 - 8.8 Tightening torque 10 Nm	3	

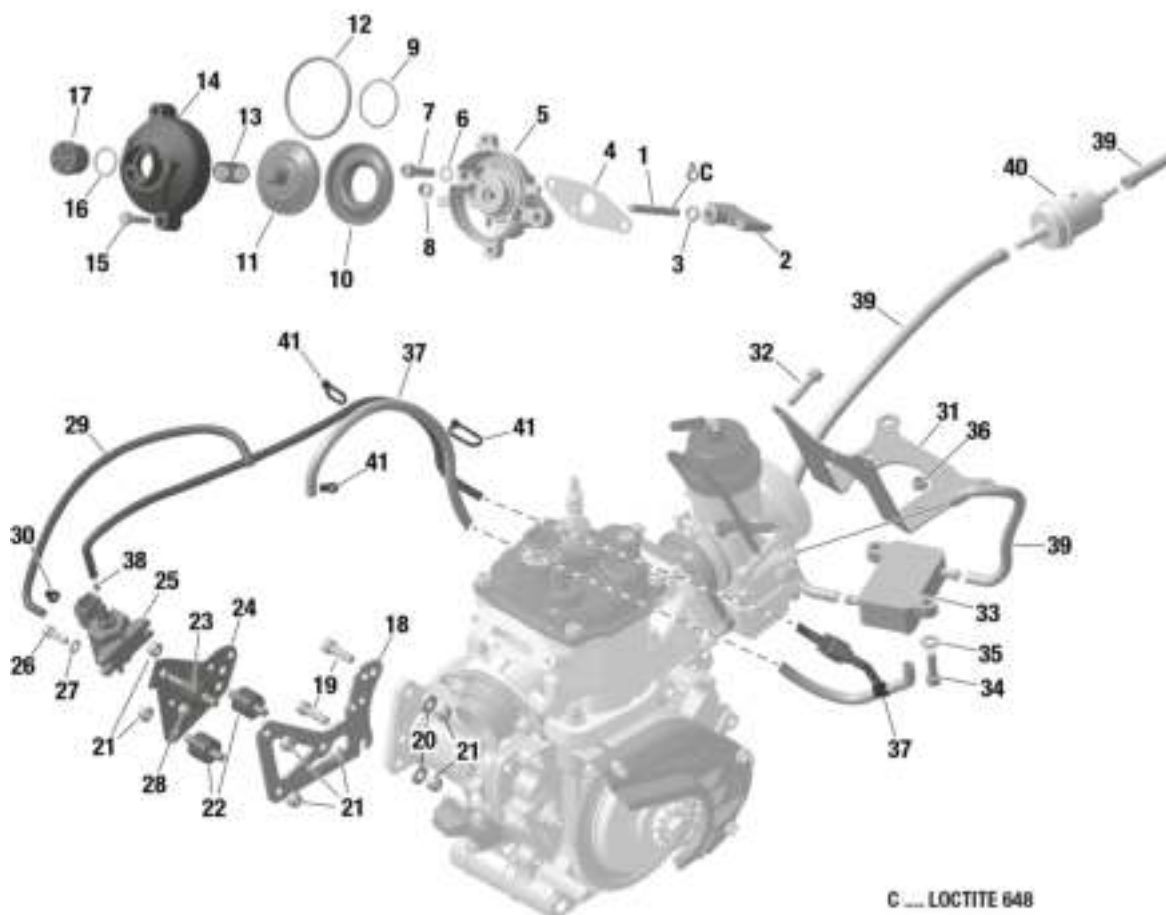
3 CYLINDER

#	NEW	PART#	DESCRIPTION	QTY	CHANGE
18		641361	ALLEN SCREW M6X25 With hole for sealing the engine Tightening torque 10 Nm	1	
19		250521	GASKET	1	
20	N	224380	REED VALVE ASSY. Ill.no. 20-24 PROD. 2020	1	
20		224389	REED VALVE ASSY. Ill.no. 20-24 PROD. 2019	1	
21		xxx	REED VALVE	1	
22		224430	REED PETAL	2	
23		xxx	REED VALVE STOP	2	
24	N	241035	TORX-TR-SCREW 3X6 - VIBRALOK Vibralok FOR REED BLOCK 224380 ONLY	1	
24		240351	OVAL HEAD SCREW M3X6 DIN 7985 Tightening torque 1.5-2 Nm	6	
25		267916	CARBURETOR FLANGE 42.5 MM	1	
26		840861	ALLEN SCREW M6X25 DIN 912 Tightening torque 7 Nm	4	
27		641361	ALLEN SCREW M6X25 With hole for sealing the engine Tightening torque 7 Nm	1	
28		251850	HOSE CLAMP 51 Tightening torque 10 Nm	1	
29		250271	GASKET	1	
30		273190	EXHAUST SOCKET Diameter 37 mm STANDARD FOR JUNIOR AND SENIOR For 125 JUNIOR MAX evo / MAX evo only	1	
31	N	273196	EXHAUST SOCKET 22 MM Diameter 22 mm FOR MINI MAX ONLY	1	
32		273192	EXHAUST SOCKET Diameter 18 mm FOR 125 MICRO MAX ONLY	1	
33		240072	ALLEN SCREW ISO 4762 - M8x20 - 8.8 Tightening torque 20 Nm	2	
34		450360	EXHAUST GASKET	1	

3 CYLINDER

#	NEW	PART#	DESCRIPTION	QTY	CHANGE
35		250315	WASHER ISO 7093 - 8 - 200HV as required	0.01	
36		942674	HEX. NUT M8 (WS 11mm) as required	0.01	
37		626420	RESTRICTION PLATE For 125 MICRO MAX evo and 125 MINI MAX evo only	1	
38		296161	GASKET SET ASSY. CYLINDER Oil seal (Chap. 4. Pos. 8) not included in gasket kit	1	

4 E-RAVE SYSTEM



4 E-RAVE SYSTEM

#	NEW	PART#	DESCRIPTION	QTY	CHANGE
1		441358	STUD M6X52.5 MK Tightening torque 10 Nm	1	
1		xxx	FOR 125 MAX evo ONLY Ill.no. 1-17	1	
2		253725	EXHAUST VALVE	1	
3		230261	O-RING 6X2.5 NBR 70 RED	1	
4		250231	GASKET	1	
5		253385	VALVE ROD HOUSING KPL.	1	
6		845020	SPRING WASHER B6	2	
7		840861	ALLEN SCREW M6X25 DIN 912 Tightening torque 10 Nm	2	
8		930500	OIL SEAL 6X11X3/4.5	1	
9		838255	HOSE SPRING 70-1.7-0.3	1	
10		260723	BELLOW	1	
11		854440	EXHAUST VALVE PISTON Tightening torque 1-2 Nm	1	
12		939280	HOSE SPRING 134-3.0-0.65	1	
13		239952	COMPRESSION SPRING 48.5/0.8 MM	1	
14		911559	VALVE COVER	1	
15	N	241271	TAPTITE-SCREW M5X25	2	
16		430220	O-RING 15.9-2.3	1	
17		241220	ADJUSTMENT SCREW	1	
18		651935	RETAINING PLATE	1	
19		241935	ALLEN SCREW ISO 4762 - M6x20 - 8.8 Tightening torque 10 Nm	2	
20		244211	WASHER 6.4 DIN 134	2	
21		842041	LOCK NUT M6 - 6.6	7	
22		660522	RUBBER BUFFER 18X15XM6	2	
23		660520	RUBBER BUFFER 18X15XM6	1	
24		651925	MOUNTING PLATE	1	
25		664630	SOLENOID VALVE	1	
26		840514	ALLEN SCREW ISO 4762 - M5x16 - 8.8	2	
27		927574	WASHER 5.3 DIN 125	2	
28		842032	LOCK NUT M5-6.6	2	
29		660574	PRESSURE LINE 280 MM	1	
30		866718	TIE WRAP 94x2.5 MM	1	
31		xxx	SUPPORT BRACKET See Chap. 11. Pos. 8	1	

4 E-RAVE SYSTEM

#	NEW	PART#	DESCRIPTION	QTY	CHANGE
32		xxx	ALLEN SCREW M6x25 See Chap. 3. Pos. 26-27	5	
33		xxx	MIKUMI FUEL-PUMP See Chap. 9. Pos. 45	1	
34		241935	ALLEN SCREW ISO 4762 - M6x20 - 8.8 Tightening torque 10 Nm	2	
35		244211	WASHER 6.4 DIN 134	2	
36		842041	LOCK NUT M6 - 6.6	2	
37		651010	HOSE PACKAGE RAVE CONTROL UNIT Ill.no. 37-38	1	
38		956305	IMPULSE NOZZLE	1	
39		xxx	TUBE A5x8 / 2500 mm See Chap. 9. Pos. 50	1	
40		274161	FUEL FILTER WITH ROTAX PRINT	1	
41		866714	TIE WRAP 142x3.2 MM	3	
42		281377	UPGRADE KIT 125 MAX EVO Contains all parts for retrofitting engine from version 125 JUNIOR MAX to 125 MAX	0.01	
43		281377	UPGRADE KIT 125 MAX EVO Contains all parts for retrofitting engine from version 125 JUNIOR MAX evo to 125 MAX evo. (E-rave). without E-Box 125 MAX evo	0.01	
44		281557	DOWNGRADE KIT 125 MICRO MAX EVO Contains all parts for retrofitting engine from version 125 JUNIOR MAX evo to 125 MICRO MAX evo	0.01	

5 CENTRIFUGAL CLUTCH. SPROCKET



- B LOCTITE 243
- C LOCTITE 648
- I LITHIUM-BASE GREASE
- J CHAIN SPRAY

RECOMMENDED

- XPS® KART TEC WHITE CHAIN SPRAY
Part No: 25112 Contents: 500 ml
- XPS® KART TEC SYNTHETIC CHAIN SPRAY
Part No: 25108 Contents: 500 ml



19

5 CENTRIFUGAL CLUTCH. SPROCKET

#	NEW	PART#	DESCRIPTION	QTY	CHANGE
1		434840	STARTER GEAR 70 T	1	
2		842319	HEX. NUT M20X1.5 Tightening torque 110 +/- 5% Nm	1	
3		659907	CLUTCH	1	
4		840036	ALLEN SCREW M6X12 DIN 912 Tightening torque 20 Nm	3	
5		236877	SPROCKET 11 Z Ill.no. 5-6 Optional. Original with ROTAX logo Configuration with needle bearing (Pos. 10)	1	
5		636021	SPROCKET 12 Z Ill.no. 5-6 Optional. Original with ROTAX logo Configuration with plain bearing (Pos. 10)	1	
5		636022	SPROCKET 13 Z Ill.no. 5-6 Optional. Original with ROTAX logo Configuration with needle bearing (Pos. 10)	1	
5		636023	SPROCKET 14 Z Ill.no. 5-6 Optional. Original with ROTAX logo Configuration with needle bearing (Pos. 10)	1	
5		636024	SPROCKET 15 Z Ill.no. 5-6 Optional. Original with ROTAX logo Configuration with needle bearing (Pos. 10)	1	
5	N	636025	SPROCKET 16 Z Ill.no. 5-6 Optional. Original with ROTAX logo Configuration with needle bearing (Pos. 10)	1	
6		232365	NEEDLE PIN 5X5	1	
7		659939	CLUTCH DRUM Marked "ROTAX +"	1	
7		659937	CLUTCH DRUM Marked "ROTAX"	1	

5 CENTRIFUGAL CLUTCH. SPROCKET

#	NEW	PART#	DESCRIPTION	QTY	CHANGE
8		242925	HEX. NUT M28X1 HEIGHT 4.6 Tightening torque 120 Nm	1	
9		233855	PLAIN BEARING 15x17x17.6 For chain sprocket 11 T only	1	
10		632415	NEEDLE CAGE K 15X19X17 For chain sprockets 12 T. 13 T. 14 T. 15 T. 16 T only	1	
11		950815	O-RING DIN 3771-12X2.5-N. NBR 70	1	
12		927057	THRUST WASHER 15.2/25/1	1	
13		627340	THRUST WASHER 10/22/1.5 For chain sprockets with 12-16 teeth	1	
13		627345	THRUST WASHER 10/19/1.5 For chain sprockets with 11 teeth only	1	
14		942951	HEX. NUT ISO 8673 - M10X1 - 8 Tightening torque 35 Nm	1	
15		582458	KART CHAIN 219/94 LINKS	1	
15		582470	KART CHAIN O-RING 219/98 LINKS	1	
15		582471	KART CHAIN O-RING 219/100 LINKS	1	
15		582472	KART CHAIN O-RING 219/102 LINKS	1	
15		582473	KART CHAIN O-RING 219/104 LINKS	1	
15		582474	KART CHAIN O-RING 219/106 LINKS	1	
15		582475	KART CHAIN O-RING 219/108 LINKS	1	
15		582476	KART CHAIN O-RING 219/110 LINKS	1	
15		582477	KART CHAIN O-RING 219/112 LINKS	1	
15		582478	KART CHAIN O-RING 219/114 LINKS	1	
16		582468	KART CHAIN 219/114 LINKS	1	
16		582467	KART CHAIN 219/112 LINKS	1	
16		582466	KART CHAIN 219/110 LINKS	1	
16		582465	KART CHAIN 219/108 LINKS	1	
16		582464	KART CHAIN 219/106 LINKS	1	
16		582463	KART CHAIN 219/104 LINKS	1	
16		582462	KART CHAIN 219/102 LINKS	1	
16		582461	KART CHAIN 219/100 LINKS	1	
16		582460	KART CHAIN 219/98 LINKS	1	
16		582459	KART CHAIN 219/96 LINKS	1	
17		436210	219 CHAIN SPROCKET 65 TEETH STD AL GOLD	1	
17		436211	219 CHAIN SPROCKET 66 TEETH STD AL GOLD	1	
17		436212	219 CHAIN SPROCKET 67 TEETH STD AL GOLD	1	

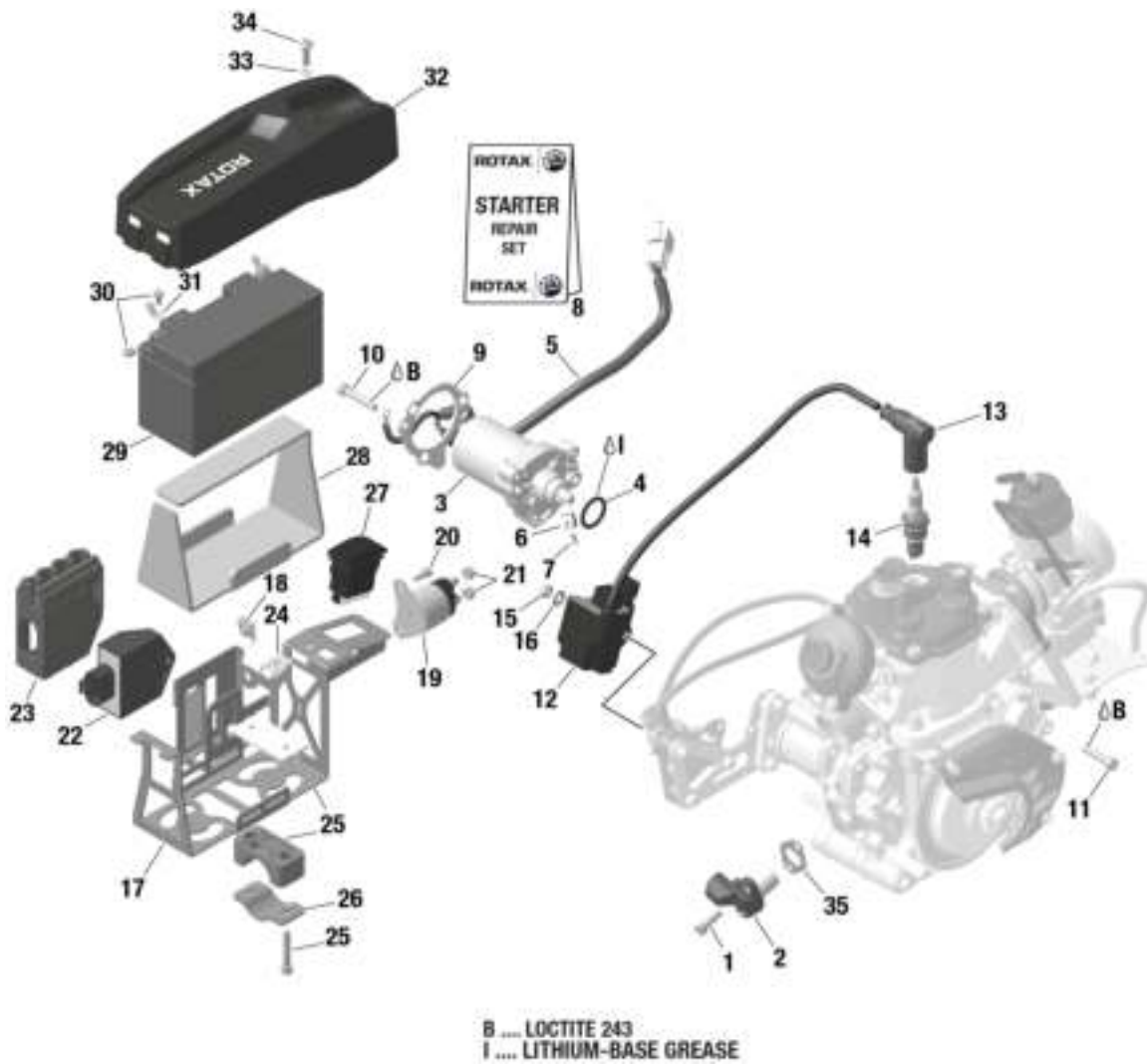
5 CENTRIFUGAL CLUTCH. SPROCKET

#	NEW	PART#	DESCRIPTION	QTY	CHANGE
17		436213	219 CHAIN SPROCKET 68 TEETH STD AL GOLD	1	
17		436214	219 CHAIN SPROCKET 69 TEETH STD AL GOLD	1	
17		436215	219 CHAIN SPROCKET 70 TEETH STD AL GOLD	1	
17		436216	219 CHAIN SPROCKET 71 TEETH STD AL GOLD	1	
17		436217	219 CHAIN SPROCKET 72 TEETH STD AL GOLD	1	
17		436218	219 CHAIN SPROCKET 73 TEETH STD AL GOLD	1	
17		436219	219 CHAIN SPROCKET 74 TEETH STD AL GOLD	1	
17		436220	219 CHAIN SPROCKET 75 TEETH STD AL GOLD	1	
17		436240	219 CHAIN SPROCKET 95 TEETH STD AL GOLD	1	
17		436239	219 CHAIN SPROCKET 94 TEETH STD AL GOLD	1	
17		436238	219 CHAIN SPROCKET 93 TEETH STD AL GOLD	1	
17		436235	219 CHAIN SPROCKET 90 TEETH STD AL GOLD	1	
17		436228	219 CHAIN SPROCKET 83 TEETH STD AL GOLD	1	
17		436227	219 CHAIN SPROCKET 82 TEETH STD AL GOLD	1	
17		436226	219 CHAIN SPROCKET 81 TEETH STD AL GOLD	1	
17		436225	219 CHAIN SPROCKET 80 TEETH STD AL GOLD	1	
17		436224	219 CHAIN SPROCKET 79 TEETH STD AL GOLD	1	
17		436223	219 CHAIN SPROCKET 78 TEETH STD AL GOLD	1	
17		436222	219 CHAIN SPROCKET 77 TEETH STD AL GOLD	1	
17		436221	219 CHAIN SPROCKET 76 TEETH STD AL GOLD	1	
17		436232	219 CHAIN SPROCKET 87 TEETH STD AL GOLD	1	
17		436231	219 CHAIN SPROCKET 86 TEETH STD AL GOLD	1	
17		436230	219 CHAIN SPROCKET 85 TEETH STD AL GOLD	1	
17		436229	219 CHAIN SPROCKET 84 TEETH STD AL GOLD	1	
17		436234	219 CHAIN SPROCKET 89 TEETH STD AL GOLD	1	
17		436233	219 CHAIN SPROCKET 88 TEETH STD AL GOLD	1	
17		436236	219 CHAIN SPROCKET 91 TEETH STD AL GOLD	1	
17		436237	219 CHAIN SPROCKET 92 TEETH STD AL GOLD	1	
18		436063	219 CHAIN SPROCKET 78 TEETH HQ AL BLACK	1	
18		436062	219 CHAIN SPROCKET 77 TEETH HQ AL BLACK	1	
18		436061	219 CHAIN SPROCKET 76 TEETH HQ AL BLACK	1	
18		436060	219 CHAIN SPROCKET 75 TEETH HQ AL BLACK	1	
18		436059	219 CHAIN SPROCKET 74 TEETH HQ AL BLACK	1	
18		436058	219 CHAIN SPROCKET 73 TEETH HQ AL BLACK	1	
18		436057	219 CHAIN SPROCKET 72 TEETH HQ AL BLACK	1	
18		436056	219 CHAIN SPROCKET 71 TEETH HQ AL BLACK	1	

5 CENTRIFUGAL CLUTCH. SPROCKET

#	NEW	PART#	DESCRIPTION	QTY	CHANGE
18		436055	219 CHAIN SPROCKET 70 TEETH HQ AL BLACK	1	
18		436054	219 CHAIN SPROCKET 69 TEETH HQ AL BLACK	1	
18		436053	219 CHAIN SPROCKET 68 TEETH HQ AL BLACK	1	
18		436052	219 CHAIN SPROCKET 67 TEETH HQ AL BLACK	1	
18		436051	219 CHAIN SPROCKET 66 TEETH HQ AL BLACK	1	
18		436050	219 CHAIN SPROCKET 65 TEETH HQ AL BLACK	1	
18		436064	219 CHAIN SPROCKET 79 TEETH HQ AL BLACK	1	
18		436065	219 CHAIN SPROCKET 80 TEETH HQ AL BLACK	1	
18		436066	219 CHAIN SPROCKET 81 TEETH HQ AL BLACK	1	
18		436067	219 CHAIN SPROCKET 82 TEETH HQ AL BLACK	1	
18		436068	219 CHAIN SPROCKET 83 TEETH HQ AL BLACK	1	
18		436069	219 CHAIN SPROCKET 84 TEETH HQ AL BLACK	1	
18		436070	219 CHAIN SPROCKET 85 TEETH HQ AL BLACK	1	
18		436071	219 CHAIN SPROCKET 86 TEETH HQ AL BLACK	1	
18		436072	219 CHAIN SPROCKET 87 TEETH HQ AL BLACK	1	
18		436073	219 CHAIN SPROCKET 88 TEETH HQ AL BLACK	1	
18		436074	219 CHAIN SPROCKET 89 TEETH HQ AL BLACK	1	
18		436075	219 CHAIN SPROCKET 90 TEETH HQ AL BLACK	1	
18		436076	219 CHAIN SPROCKET 91 TEETH HQ AL BLACK	1	
18		436077	219 CHAIN SPROCKET 92 TEETH HQ AL BLACK	1	
18		436078	219 CHAIN SPROCKET 93 TEETH HQ AL BLACK	1	
18		436079	219 CHAIN SPROCKET 94 TEETH HQ AL BLACK	1	
18		436080	219 CHAIN SPROCKET 95 TEETH HQ AL BLACK	1	
19		281721	RETROFIT KIT CLUTCH 125 MAX	0.01	

6 ELECTRONIC COMPONENTS



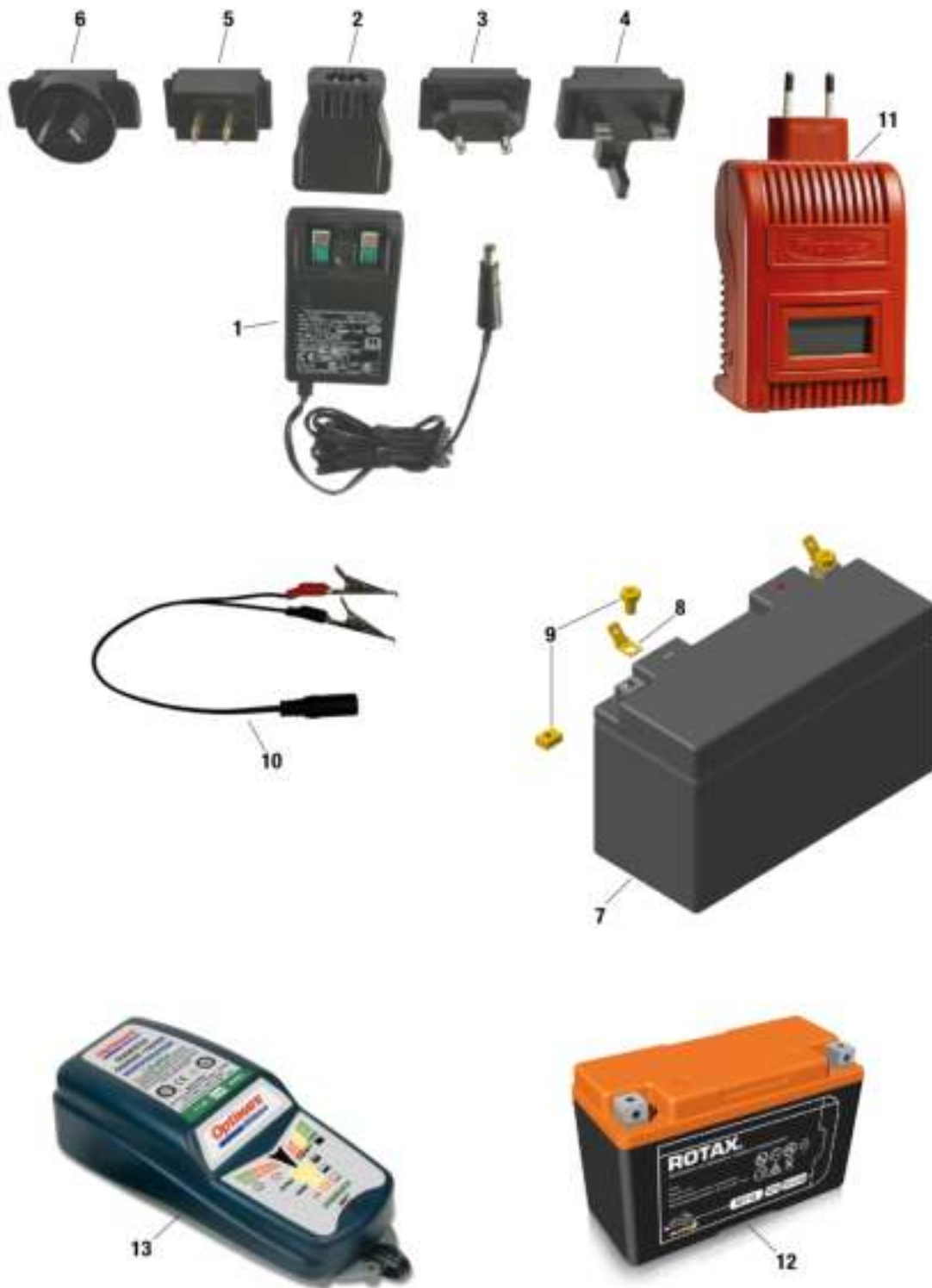
6 ELECTRONIC COMPONENTS

#	NEW	PART#	DESCRIPTION	QTY	CHANGE
1		941250	TAPTITE-SCREW M6X20 Use for crank cases with non-machined pick-up sensor flange (before crank case 295915)	2	
1		241935	ALLEN SCREW ISO 4762 - M6x20 - 8.8 Tightening torque 10 Nm	2	
2		265560	PICK UP SENSOR Incl. rubber gasket; rubber gasket not available separately	1	
3		294805	ELECTRIC STARTER ASSY. Ill.no. 3-7	1	
4		xxx	O-RING Incl. In repair kit E-Starter 281262	1	
5		265532	CABLE ASSY.	1	
6		651940	CABLE CLAMP	1	
7		xxx	SCREW M3x8 Incl. In repair kit E-Starter 281262	2	
8		281262	REPAIR KIT (ELECTRIC STARTER) Content: 2 x SCREW M3x8 2 x COMPRESSION SPRING 1 x CARBON BRUSH LEFT 1 x CARBON BRUSH RIGHT 1 x O-RING	1	
9		251670	STARTER SUPPORT	1	
10		241811	ALLEN SCREW M6X35 ISO 4762-8.8 Tightening torque 10 Nm	1	
11		840880	ALLEN SCREW ISO 4762 M6X30 8.8 Tightening torque 10 Nm	1	
12		666825	IGNITION COIL Ill.no. 12-13 With spark plug cap 866708 (black)	1	
12		666826	IGNITION COIL Ill.no. 12-13 With spark plug cap 866707 (red)	1	
13		866707	SPARK PLUG CONNECTOR Standard (red). short cap	1	
13		866708	SPARK PLUG CONNECTOR Optional (black)	1	
14		298102	SPARK PLUG NGK GR8DI 125 MAX evo serial production	1	

6 ELECTRONIC COMPONENTS

#	NEW	PART#	DESCRIPTION	QTY	CHANGE
14		298103	SPARK PLUG NGK GR9DI Optional	1	
15		842041	LOCK NUT M6 - 6.6	1	
16		244211	WASHER 6.4 DIN 134	1	
17		251127	BATTERY CLAMP	1	
18		842680	SHEET NUT M5	2	
19		992819	STARTER RELAY ASSY.	1	
20		640542	ALLEN SCREW ISO 4762 - M5x12 - 8.8	2	
21		842041	LOCK NUT M6 - 6.6	2	
22		666813	ELECTRONIC BOX JUNIOR MAX FOR 125 JUNIOR MAX ONLY	1	
22		666815	ELECTRONIC BOX MAX FOR 125 MICRO / SENIOR MAX	1	
22		666818	ELECTRONIC BOX MINI MAX FOR 125 MINI MAX ONLY	1	
23		201900	RUBBER PAD	1	
24		242141	SHEET NUT M6	1	
25		251254	PIPE CLAMP SET Ill.no. 25-26	2	
26		251360	PIPE CLAMP	1	
27		264854	MULTIPLE FUNCTION SWITCH	1	
28		660767	RUBBER PAD	1	
29		265516	BATTERY 12 V-6.5Ah UNFILLED RTX Dangerous goods	1	
30		481380	BATTERY FIXATION KIT	1	
31		864950	FLAT CONNECTOR	2	
32		201602	BATTERY COVER	1	
33		831929	O-RING 5X2	1	
34		440761	ALLEN SCREW W. ROUNDED FLANGE HEAD M6X20	1	
35		431500	GASKET Use for crank cases with non-machined pick-up sensor flange (before crank case 295915)	1	

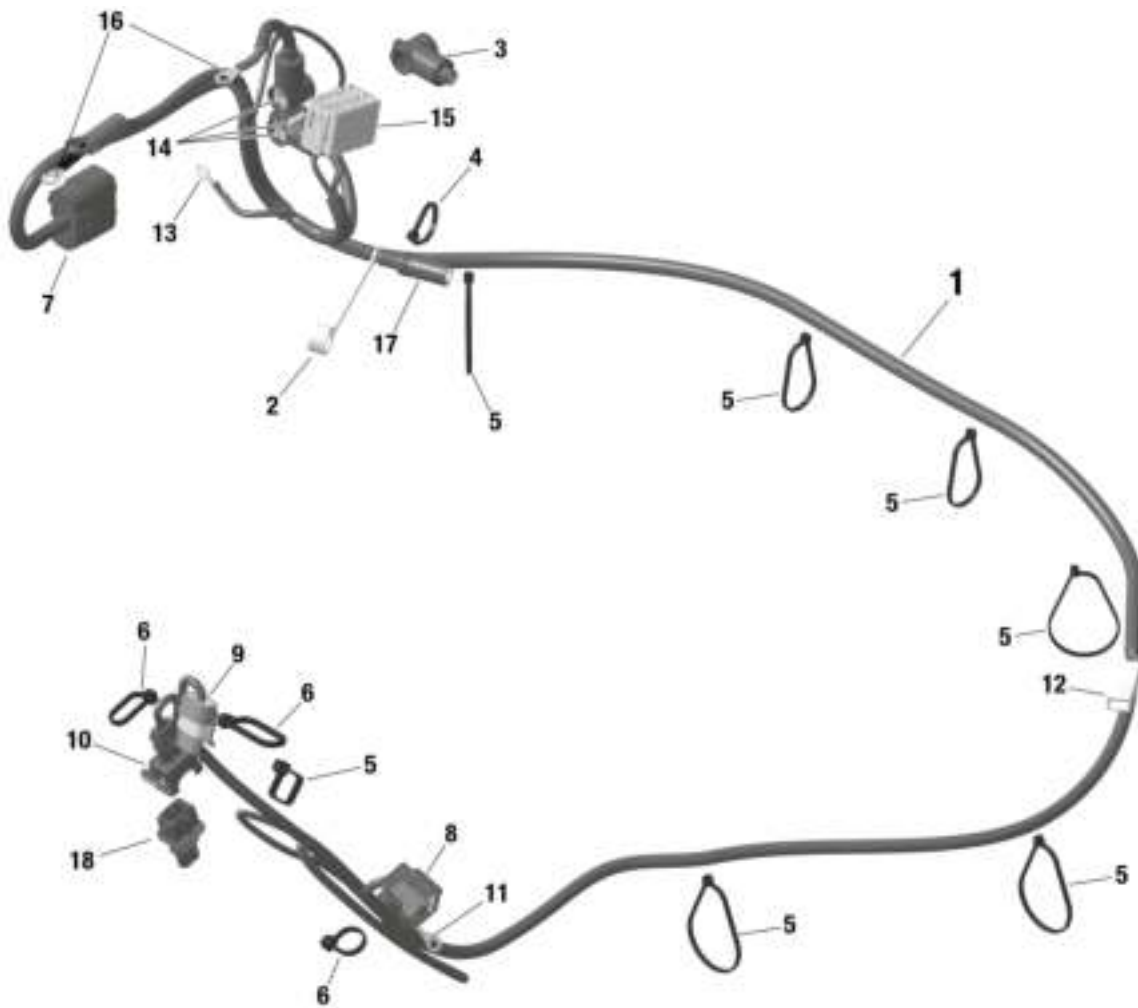
7 BATTERY. BATTERY CHARGER



7 BATTERY. BATTERY CHARGER

#	NEW	PART#	DESCRIPTION	QTY	CHANGE
1		265148	BATTERY CHARGER	1	
2		266018	ADAPTER-ROW	1	
3		266010	ADAPTER-EURO	1	
4		266012	ADAPTER-UK	1	
5		266014	ADAPTER-USA	1	
6		266016	ADAPTER-AUSTRALIA	1	
7		265516	BATTERY 12 V-6.5Ah UNFILLED RTX Ill.no. 7-9 cannot be ordered via airfreight	1	
8		864950	FLAT CONNECTOR	2	
9		481380	BATTERY FIXATION KIT	1	
10		266022	CONNECTOR CABLE FOR BATTERY CHARGER 125	1	
11		581320	BATTERYCHARGER ACTIVIA EASY 1202	1	
12		265030	BATTERY LITHIUM TYPE 12V-2.3/2.5Ah	1	
13		581325	BATTERY CHARGER OPTIMATE LITHIUM EU connector only Must not be used in Japan	1	

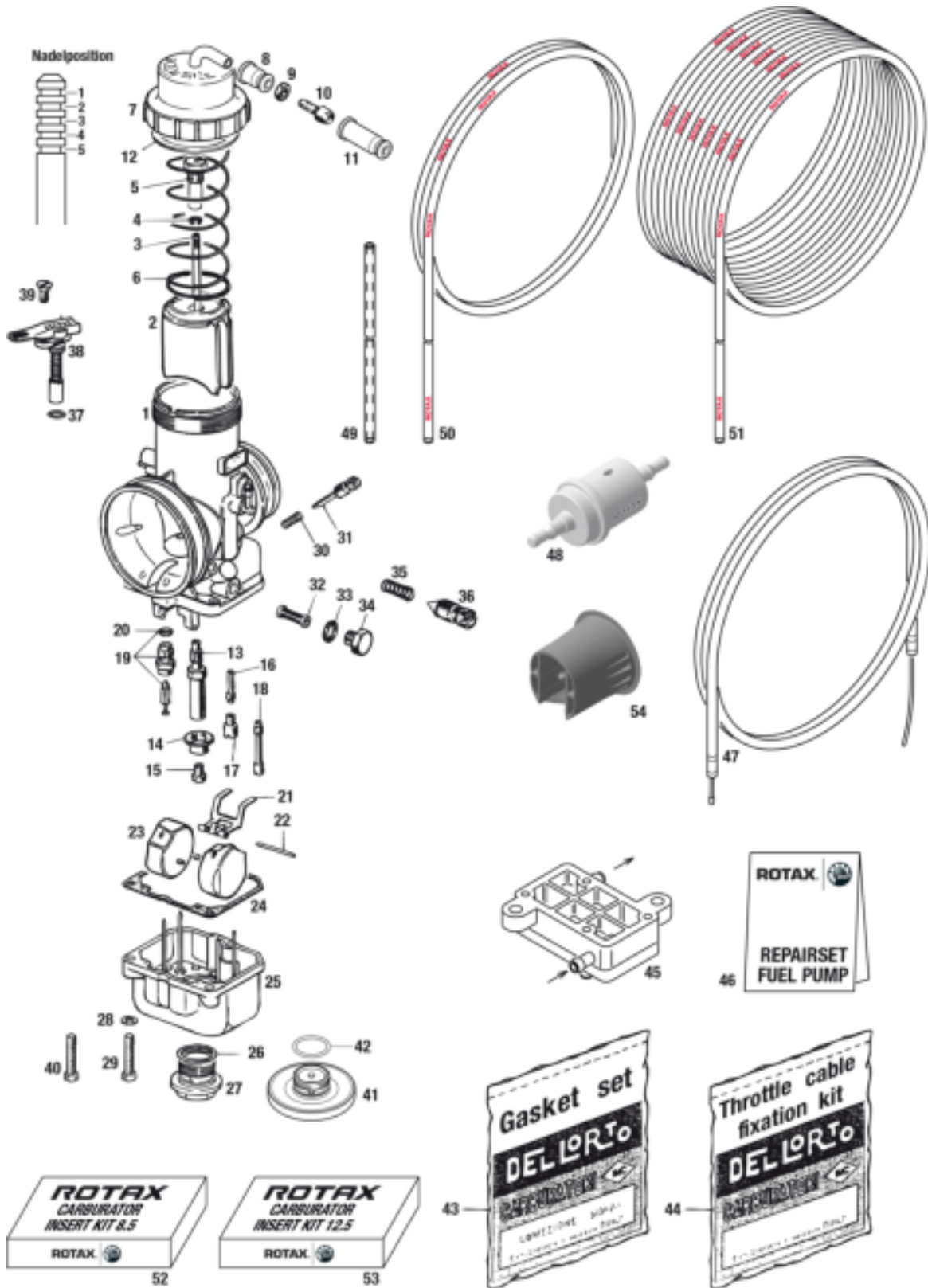
8 WIRING HARNESS



8 WIRING HARNESS

#	NEW	PART#	DESCRIPTION	QTY	CHANGE
1		666835	WIRING HARNESS	1	
2		666902	CHARGING PLUG CAP	1	
3		666904	RELAY CAP	2	
4		866718	TIE WRAP 94x2.5 MM	2	
5		651397	TIE WRAP 250X4.8 MM	8	
6		866714	TIE WRAP 142x3.2 MM	5	
7		xxx	CONNECTOR ECU	1	
8		xxx	CONNECTOR PICK UP SENSOR	1	
9		xxx	CONNECTOR IGNITION COIL	1	
10		xxx	CONNECTOR RAVE	1	
11		xxx	CONNECTOR SHIFT CONTACT For 125 MAX evo only	1	
12		xxx	CONNECTOR STARTER	1	
13		xxx	CONNECTOR GROUND	1	
14		xxx	CONNECTOR STARTER RELAY	3	
15		xxx	CONNECTOR MULTIPLE FUNCTION SWITCH	1	
16		xxx	CONNECTOR BATTERY	2	
17		xxx	CONNECTOR BATTERY CHARGER	1	
18		666900	DUMMY PLUG Optional for 125 MICRO MAX. 125 MINI MAX. 125 JUNIOR MAX	1	

9 CARBURETTOR. CARBURETTOR ACCESSORIES



9 CARBURETTOR. CARBURETTOR ACCESSORIES

#	NEW	PART#	DESCRIPTION	QTY	CHANGE
1		295060	DELL'ORTO CARBURETOR VHSB 34 XS MAX	1	
2		262031	CARBURATOR SLIDE 45	1	
3		261192	JET NEEDLE K 57 Standard	1	
4		245630	CLIP	1	
5		261270	NIPPLE SCREW	1	
6		239885	THROTTLE VALVE SPRING	1	
7		261427	CARBURETOR COVER WITH BENT TUBE ASSY.	1	
8		xxx	RUBBER GROMMET SMALL Use throttle cable fixation kit 268040	1	
9		xxx	HEX.NUT M6x0.75 Use throttle cable fixation kit 268040	1	
10		xxx	ADJUSTMENT SCREW M6x0.75 Use throttle cable fixation kit 268040	1	
11		xxx	RUBBER GROMMET BIG Use throttle cable fixation kit 268040	1	
12		xxx	GASKET Use gasket kit 293834	1	
13		262042	NEEDLE JET DP 267	1	
14		261550	MAIN JET CUP	1	
15	N	281479	MAIN JET KIT 124 - 134 Recommended for JUNIOR / SENIOR category	1	
15		281470	MAIN JET KIT 160-162-165-168-170-172	1	
15		281471	MAIN JET KIT 145-148-150-152-155-158	1	
15		281472	MAIN JET KIT 175-178-180-182-185-188	1	
15		281473	MAIN JET KIT 132-135-138-140-142	1	
15		281474	MAIN JET KIT 190-192-195-198-200	1	
15		281476	MAIN JET KIT 115-118-120-122-125-128-130	1	
15		281477	MAIN JET KIT 100-102-105-108-110-112	1	
15	N	281478	MAIN JET KIT 105 - 115 Recommended for MICRO / MINI category	1	
16		281885	IDLE JET INSERT SET Optional	1	
17		281882	IDLE JET KIT 30-35-40-45-50-55-60 Optional	1	
18		261895	STARTING JET 60	1	
19		261880	NEEDLE VALVE 150	1	
20		xxx	GASKET Use gasket kit 293834	1	

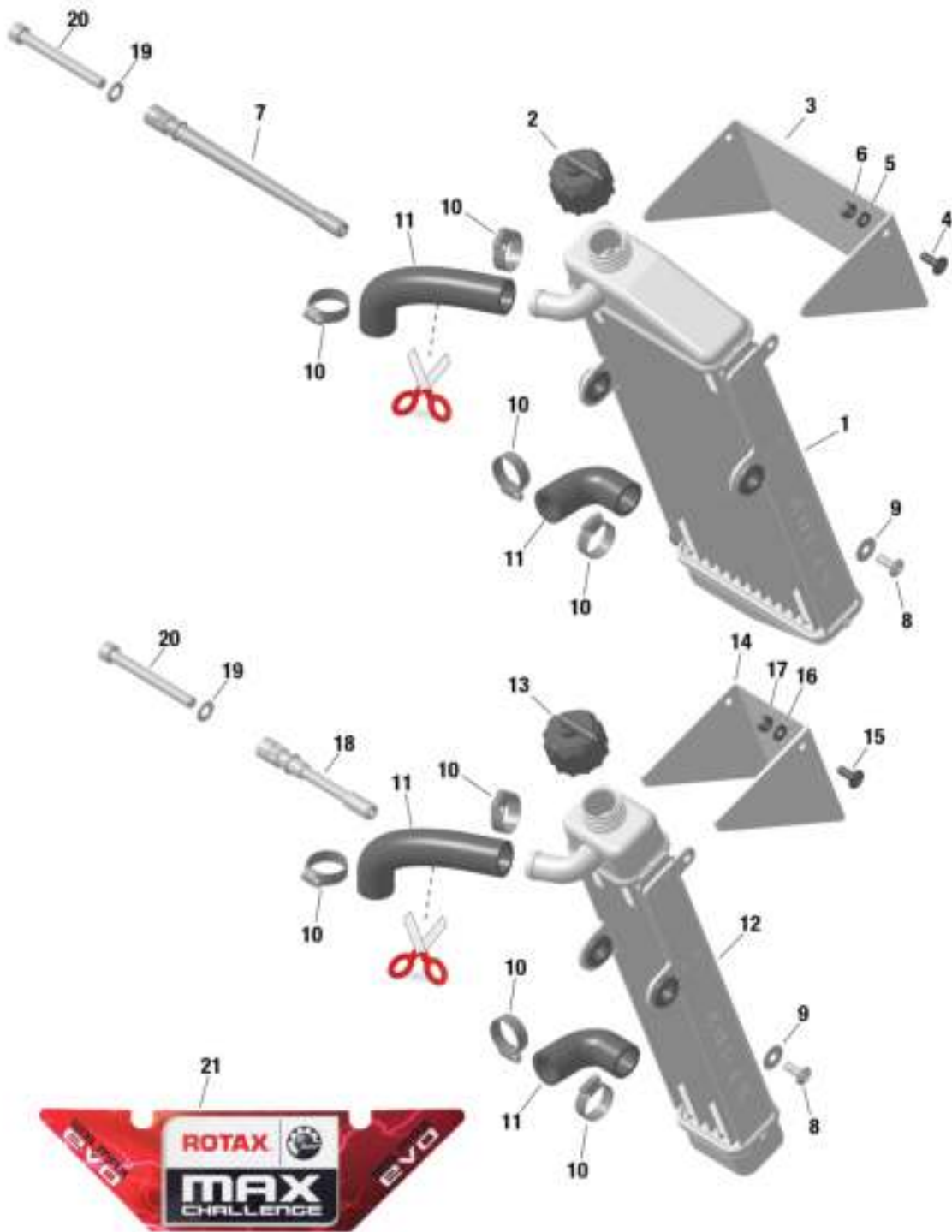
9 CARBURETTOR. CARBURETTOR ACCESSORIES

#	NEW	PART#	DESCRIPTION	QTY	CHANGE
21		261290	FLOAT BRACKET	1	
22		229271	FLOAT PIN	1	
23		268032	FLOAT 4.0 GR. Standard	2	
23		268031	FLOAT 3.6 GR. Optional	2	
23		268030	FLOAT 5.2 GR. Optional	2	
24		xxx	GASKET Use gasket kit 293834	1	
25		xxx	FLOAT CHAMBER Not available as spare part	1	
26		xxx	GASKET Use gasket kit 293834	1	
27		261373	PLUG SCREW	1	
28		845312	LOCK WASHER VHZ 5	3	
29		262020	ALLEN SCREW M5X20	3	
30		268044	ADJUSTMENT SCREW KIT Ill.no. 30-31	1	
30		xxx	COMPRESSION SPRING Use adjustment screw kit 268044	1	
31		xxx	ADJUSTMENT SCREW Use adjustment screw kit 268044	1	
32		268042	FUEL SIEVE KIT Ill.no. 32-34	1	
32		xxx	FUEL SIEVE Use fuel sieve kit 268042	1	
33		xxx	GASKET Use gasket kit 293834 or 268042	1	
34		xxx	PLUG SCREW Use fuel sieve kit 268042	1	
35		xxx	COMPRESSION SPRING Not available as spare part	1	
36		xxx	ADJUSTMENT SCREW Not available as spare part	1	
37		xxx	GASKET Use gasket kit 293834	1	
38		261915	CHOKE LEVER ASSY.	1	
39		240505	COUNTERSUNK SCREW M4.5X10	1	

9 CARBURETTOR. CARBURETTOR ACCESSORIES

#	NEW	PART#	DESCRIPTION	QTY	CHANGE
40		240184	ALLEN SCREW M5X20 With hole for sealing the carburettor	1	
41		261030	CARBURETOR PLUG SCREW	1	
42		230890	O RING 17-2.5	1	
43		293834	GASKET SET For carburettor	1	
44		268040	THROTTLE CABLE FIXATION KIT	1	
45		994483	MIKUNI-FUEL PUMP	1	
46		296165	GASKET SET FUEL PUMP	1	
47		297122	CABLE BOWDEN ASSY. THROTTLE	1	
48		274161	FUEL FILTER WITH ROTAX PRINT	1	
49		260260	AIR VENT HOSE 180 MM	1	
50		974529	TUBE A5X8/2500 MM	1	
51		570910	TUBE 5X8 MM / 50M ROLL ROTAX PRINTED Optional	1	
52		281822	CARBURETOR INSERT KIT 8.5 Optional	1	
53		281820	CARBURETOR INSERT KIT 12.5 Standard	1	
54	N	267536	INTAKE RESTRICTOR Carburetor Restrictor FOR MICRO AND MINI ONLY	1	

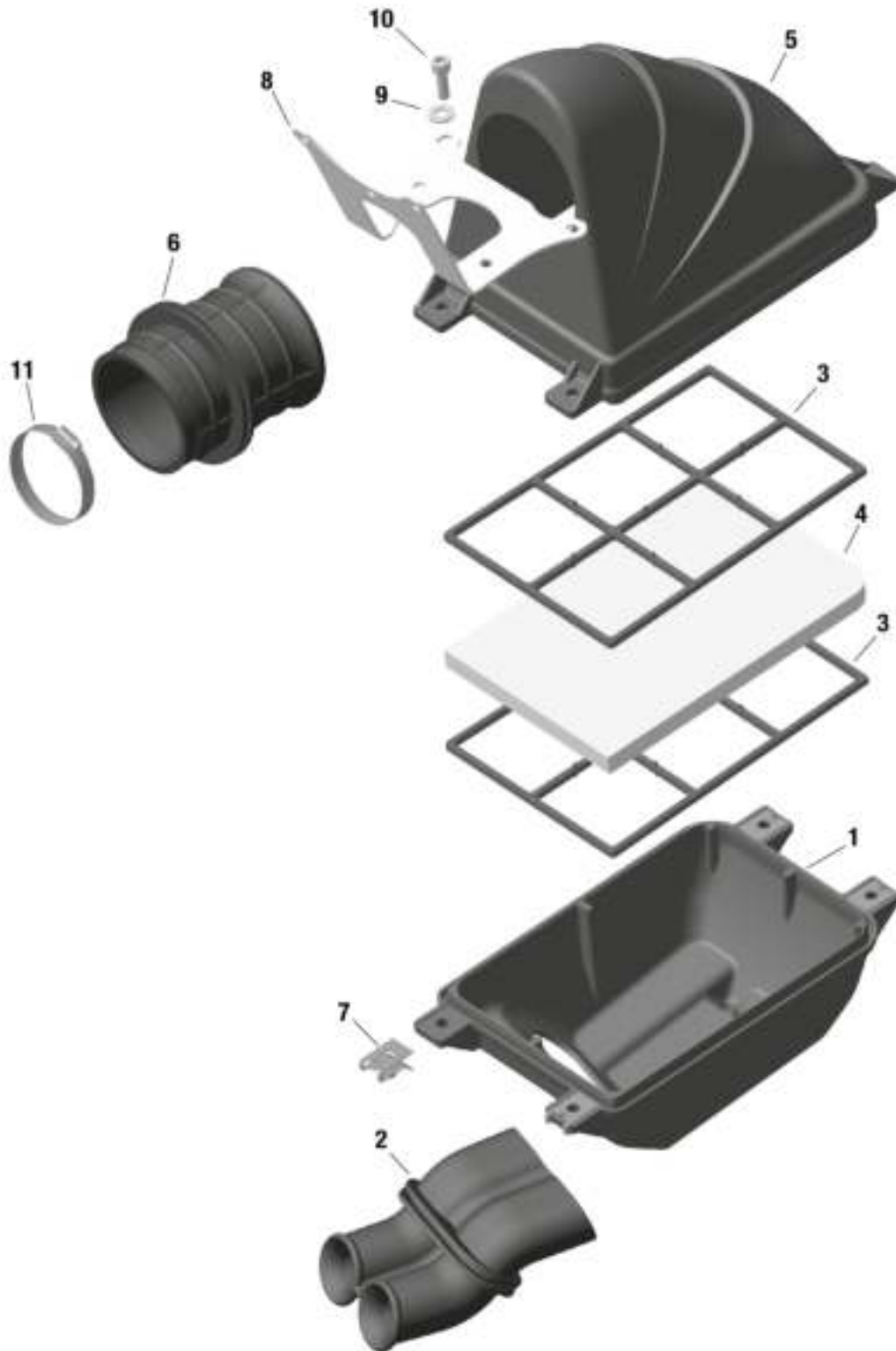
10 RADIATOR. RADIATOR ACCESSORIES



10 RADIATOR. RADIATOR ACCESSORIES

#	NEW	PART#	DESCRIPTION	QTY	CHANGE
1		295928	RADIATOR WITH CAP ASSY. Ill.no. 1-6	1	
2		222750	RADIATOR CAP WITH GASKET 1.0 BAR	1	
3		201220	RADIATOR FLAP JUN / MAX	1	
4		440751	ALLEN SCREW W. ROUNDED FLANGE HEAD M6X16	2	
5		244211	WASHER 6.4 DIN 134	2	
6		842041	LOCK NUT M6 - 6.6	2	
7		651690	RADIATOR BRACKET	1	
8		440761	ALLEN SCREW W. ROUNDED FLANGE HEAD M6X20	1	
9		827307	WASHER 6.2/18/0.5	1	
10		951870	CLAMP 16-25	4	
11		222746	COOLING-WATER HOSE NW 18	2	
12		295923	RADIATOR WITH CAP ASSY. Ill.no. 12-17 For engine configuration 125 MICRO MAX only	1	
13		222750	RADIATOR CAP WITH GASKET 1.0 BAR	1	
14		201222	RADIATOR FLAP MICRO	1	
15		440751	ALLEN SCREW W. ROUNDED FLANGE HEAD M6X16	2	
16		244211	WASHER 6.4 DIN 134	2	
17		842041	LOCK NUT M6 - 6.6	2	
18		651695	RADIATOR BRACKET	1	
19		945832	LOCK WASHER DIN 128-A8-FST	1	
20		841832	ALLEN SCREW ISO 4762 - M8x75 - 8.8 Tightening torque 24 Nm	1	
21	N	582922	RADIATOR STICKER 125 MAX EVO FOR JUNIOR AND SENIOR ONLY	1	
21	N	582920	RADIATOR STICKER 125 MICRO MAX EVO FOR MICRO AND MINI ONLY	1	

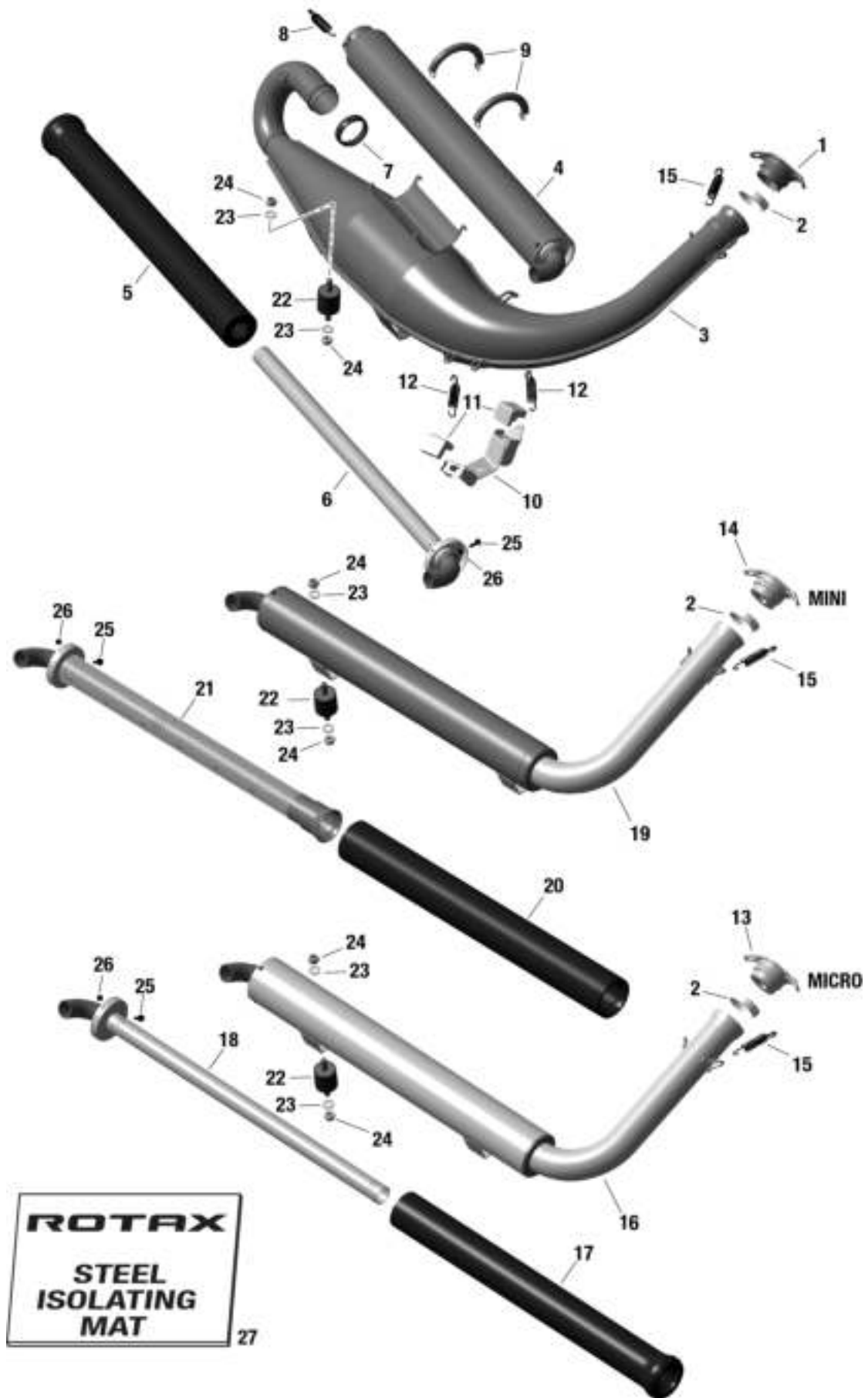
11 INTAKE SILENCER. AIR FILTER



11 INTAKE SILENCER. AIR FILTER

#	NEW	PART#	DESCRIPTION	QTY	CHANGE
1		225015	INTAKE SILENCER CASE. BOTTOM	1	
2		225041	INTAKE SILENCER TUBE	1	
3		225061	HOLDER FOR FILTER ELEMENT	2	
4		225053	FILTER ELEMENT	1	
5		225025	INTAKE SILENCER CASE. TOP	1	
6		225031	CARBURETOR SOCKET	1	
7		242141	SHEET NUT M6	4	
8		251720	SUPPORT BRACKET	1	
9		244211	WASHER 6.4 DIN 134	4	
10		241935	ALLEN SCREW ISO 4762 - M6x20 - 8.8 Tightening torque 6-8 Nm	4	
11		951791	CLAMP 50-70	1	

12 EXHAUST SYSTEM



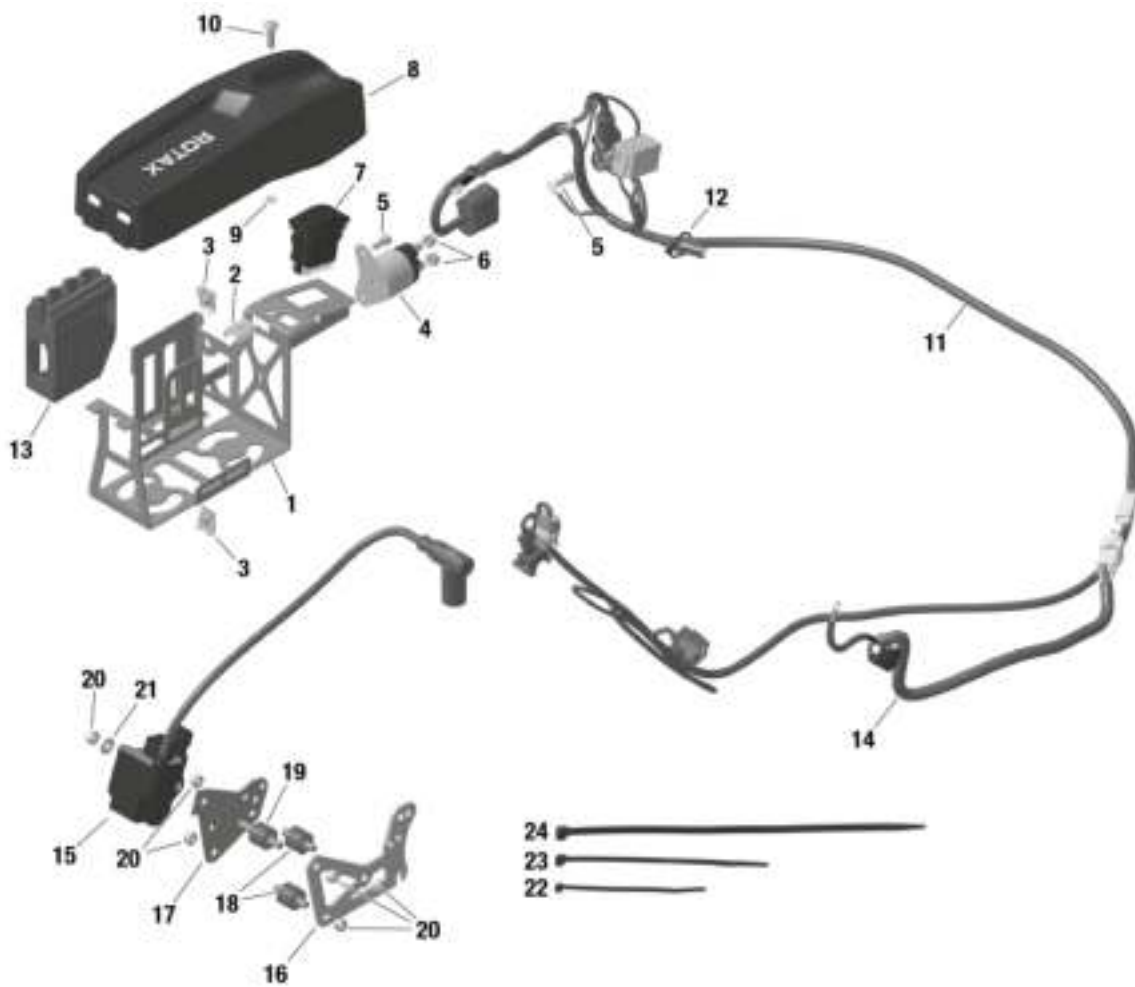
12 EXHAUST SYSTEM

#	NEW	PART#	DESCRIPTION	QTY	CHANGE
1		xxx	EXHAUST SOCKET ASSY. See Chap. 3. Pos. 30	1	
2		xxx	EXHAUST GASKET See Chap. 3. Pos. 34	1	
3		273078	EXHAUST SYSTEM FOR 125 JUNIOR / SENIOR MAX Ill.no. 3-9	1	
3		273200	MUFFLER ASSY.	1	
4		273220	SILENCER ASSY. Ill.no. 4-6	1	
5		297982	ISOLATING MAT	1	
6		273210	PERFORATED TUBE ASSY.	1	
7		450360	EXHAUST GASKET	1	
8		938798	SPRING STAINLESS	1	
9		238945	TENSION SPRING	2	
10		651071	RETAINING PLATE	1	
11		201720	RUBBER BUFFER	2	
12		938798	SPRING STAINLESS	2	
13		273192	EXHAUST SOCKET FOR MICRO MAX ONLY	1	
14	N	273196	EXHAUST SOCKET 22 MM FOR MINI MAX ONLY	1	
15		938798	SPRING STAINLESS	2	
16	N	273136	MUFFLER ASSY. For 125 MICRO MAX ONLY Ill.no. 16-18	1	
17		297982	ISOLATING MAT FOR MICRO MAX ONLY	1	
18	N	273212	PERFORATED TUBE ASSY. COVER WITH ELBOW FOR 125 MICRO MAX ONLY	1	
19	N	273137	MUFFLER ASSY. FOR 125 MINI MAX ONLY Ill. 19-21	1	
20	N	297985	ISOLATING MAT FOR MINI MAX ONLY	1	
21	N	273211	PERFORATED TUBE ASSY. COVER WITH ELBOW FOR MINI MAX ONLY	1	
22		660920	RUBBER BUFFER 30X30XM8	2	

12 EXHAUST SYSTEM

#	NEW	PART#	DESCRIPTION	QTY	CHANGE
23		250313	WASHER 8.4 STAINLESS STEEL	4	
24		942031	LOCK NUT DIN 985-M8-8.8	4	
25		440291	ALLEN SCREW M4X12 DIN 912 As replacement for rivets in case of repair	0.01	
26		242533	LOCK NUT ISO 7042 - M4 - A2-70 As replacement for rivets in case of repair	0.01	
27		297983	ISOLATING MAT STEEL WITH TIE WRAP Optional	0.01	

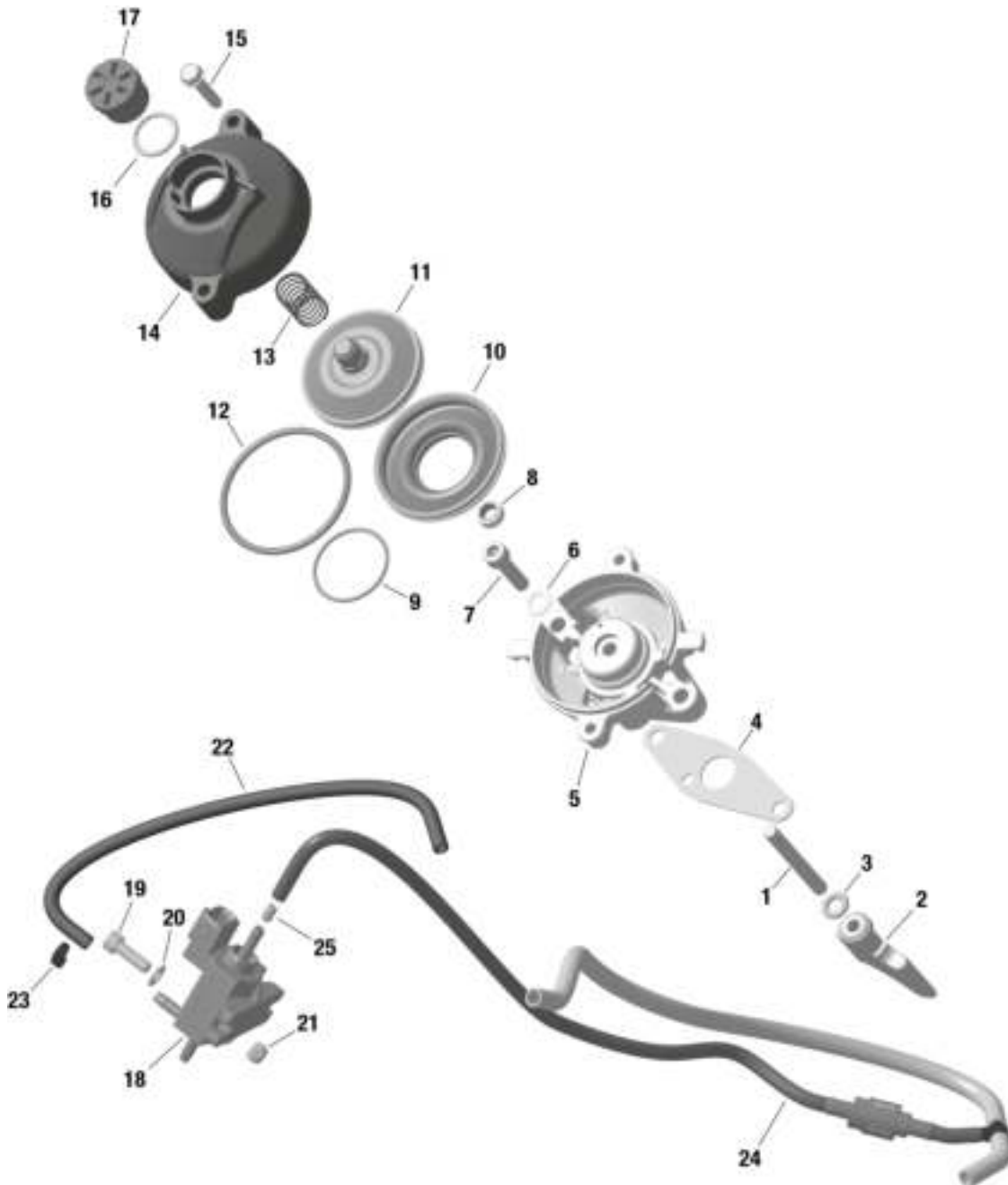
13 EVO UPGRADE KIT IGNITION



13 EVO UPGRADE KIT IGNITION

#	NEW	PART#	DESCRIPTION	QTY	CHANGE
1		251124	BATTERY CLAMP EVO ASSY. Ill.no. 1-13	1	
2		xxx	SHEET NUT M6 See Chapter 06 Pos. 23	1	
3		xxx	SHEET NUT M5 See Chapter 06 Pos. 17	1	
4		xxx	STARTER RELAY ASSY. See Chapter 06 Pos. 18	1	
5		xxx	ALLEN SCREW ISO 4762 M5x12 See Chapter 06 Pos. 19	1	
6		xxx	LOCK NUT M6 See Chapter 06 Pos. 20	1	
7		xxx	MULTIPLE FUNCTION SWITCH See Chapter 06 Pos. 26	1	
8		xxx	BATTERY COVER See Chapter 06 Pos. 31	1	
9		xxx	O-RING 5x2 See Chapter 06 Pos. 32	1	
10		xxx	ALLEN SCREW M6X20 See Chapter 06 Pos. 33	1	
11		xxx	WIRING HARNESS See Chapter 08 Pos. 01	1	
12		xxx	TIE WRAP 94x2.5 See Chapter 08 Pos. 04	1	
13		xxx	RUBBER PAD See Chapter 06 Pos. 22	1	
14		265532	CABLE ASSY.	1	
15		651062	RETAINING PLATE IGNITION COIL ASSY. Ill.no. 15-24	1	
15		666826	IGNITION COIL	1	
16		651935	RETAINING PLATE	1	
17		651925	MOUNTING PLATE	1	
18		660522	RUBBER BUFFER 18X15XM6	2	
19		660520	RUBBER BUFFER 18X15XM6	1	
20		842041	LOCK NUT M6 - 6.6	6	
21		244211	WASHER 6.4 DIN 134	1	
22		866718	TIE WRAP 94x2.5 MM	1	
23		866714	TIE WRAP 142x3.2 MM	1	
24		651397	TIE WRAP 250X4.8 MM	1	

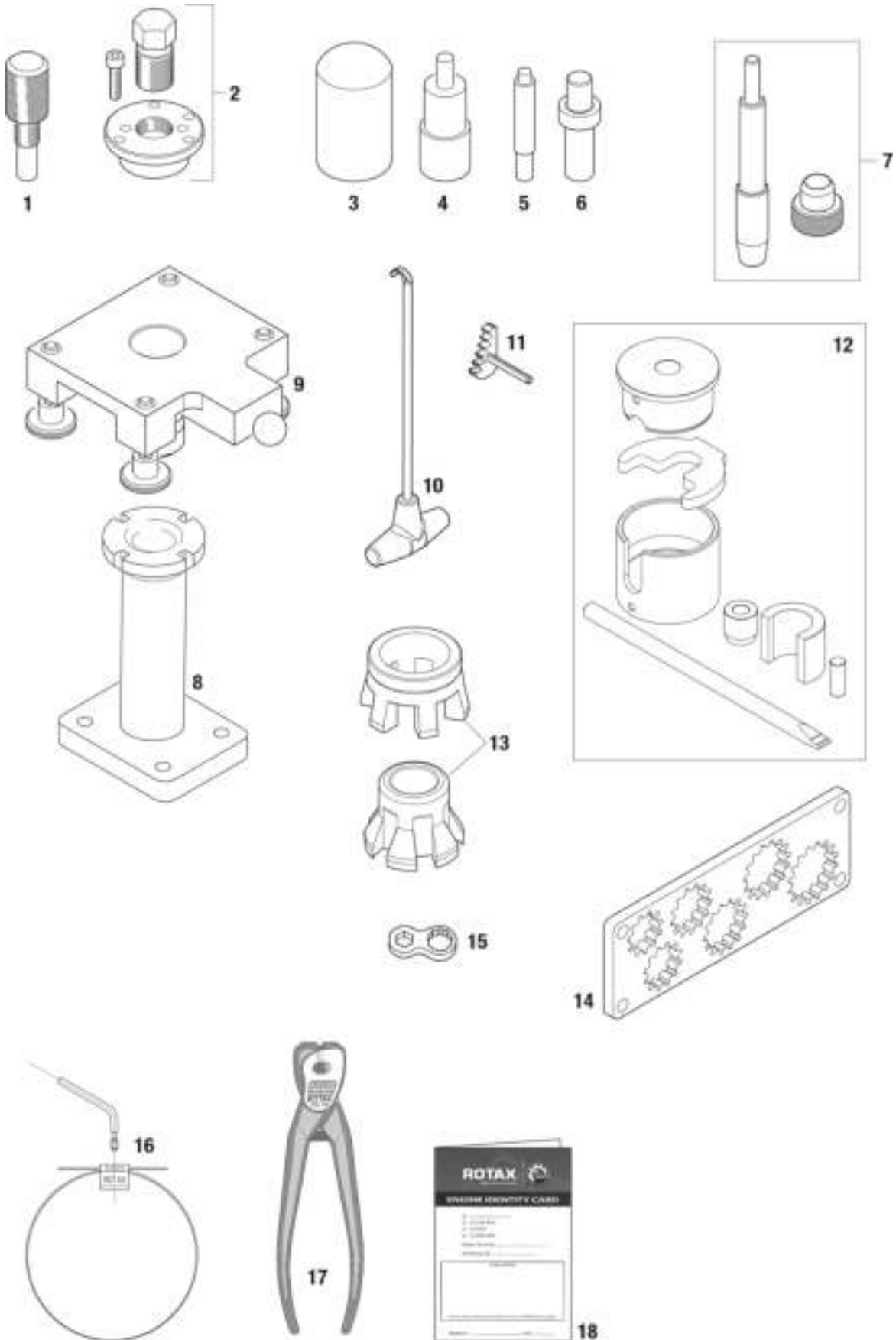
14 EVO UPGRADE KIT E-RAVE



14 EVO UPGRADE KIT E-RAVE

#	NEW	PART#	DESCRIPTION	QTY	CHANGE
1		481260	EVO UPGRADE KIT E-EXHAUST VALVE Ill.no. 1-25	1	
1		441358	STUD M6X52.5 MK	1	
2		253725	EXHAUST VALVE	1	
3		230261	O-RING 6X2.5 NBR 70 RED	1	
4		250231	GASKET	1	
5		253385	VALVE ROD HOUSING KPL.	1	
6		845020	SPRING WASHER B6	2	
7		840861	ALLEN SCREW M6X25 DIN 912	2	
8		930500	OIL SEAL 6X11X3/4.5	1	
9		838255	HOSE SPRING 70-1.7-0.3	1	
10		260723	BELLOW	1	
11		854440	EXHAUST VALVE PISTON	1	
12		939280	HOSE SPRING 134-3.0-0.65	1	
13		239952	COMPRESSION SPRING 48.5/0.8 MM	1	
14		911559	VALVE COVER	1	
15	N	241271	TAPTITE-SCREW M5X25	2	
16		430220	O-RING 15.9-2.3	1	
17		241220	ADJUSTMENT SCREW	1	
18		664630	SOLENOID VALVE	1	
19		840514	ALLEN SCREW ISO 4762 - M5x16 - 8.8	2	
20		927574	WASHER 5.3 DIN 125	4	
21		842032	LOCK NUT M5-6.6	2	
22		660574	PRESSURE LINE 280 MM	1	
23		866718	TIE WRAP 94x2.5 MM	1	
24		651010	HOSE PACKAGE RAVE CONTROL UNIT Ill.no. 24-25	1	
25		956305	IMPULSE NOZZLE	1	

15 REPAIR TOOLS



15 REPAIR TOOLS

#	NEW	PART#	DESCRIPTION	QTY	CHANGE
1		277381	FIXATION TOOL FOR CRANKSHAFT For blocking the crankshaft	1	
2		276016	PULLER ASSY. For starter gear assy.	1	
3		676010	INSERTION SLEEVE For oil seals of crankshaft	1	
4		676021	INSERTION JIG For water pump seals	1	
5		676030	INSERTION JIG For needle bushing of E-starter	1	
6		676040	INSERTION JIG For plain bearing. Sprocket 11 teeth	1	
7		676035	INSERTION TOOL For installation of piston pin circlips	1	
8		877930	TRESTLE SUPPORT	1	
9		676052	FIXING PLATE FOR ENGINE For ROTAX engine types 100 and 125 MAX	1	
10		251680	SPRING HOOK For exhaust springs	1	
11		676205	FIXATION TOOL ASSY. MAX	1	
12		276051	CRANKSHAFT REPAIR JIG	1	
13		276070	ASSEMBLY TOOL BELLOW SPRING EXHAUST V.	1	
14		277364	FIXATION. TOOL FOR SPROCKET	1	
15		676110	WRENCH ADAPTER 11/8	1	
16		297041	ROTAX-SEAL WITH BAR CODE With registered serial no. For authorised distributors only	1	
17		276110	ROTAX SEAL CALLIPER For authorised distributors only	1	
18		297240	ENGINE IDENTITY CARD For authorised distributors only	1	

16 SCRUTINEERING TOOLS



16 SCRUTINEERING TOOLS

#	NEW	PART#	DESCRIPTION	QTY	CHANGE
1		277390	COMBUSTION CHAMBER INSERT TEMPLATE For authorised distributors only	1	
2		277405	EXHAUST SOCKET TEMPLATE MICO MAX / MINI MAX	1	
3		277030	EXHAUST VALVE GAUGE	1	
4		277400	CONTROL TEMPLATE CARBURETOR VHSB34	1	
5		277402	EXHAUST PORT HEIGHT TEMPLATE	1	
6		676240	EXHAUST PORT TEMPLATE JUNIOR MAX	1	
7		676245	EXHAUST PORT TEMPLATE MAX	1	
8		277391	GAUGE CRANKSHAFT MAX	1	
9		580132	TIN WIRE 3 MM-100 GR	1	
10		580130	TIN WIRE 2 MM-100 GR	1	
11		676034	FITTING MANDREL VENTURI	1	
12		281920	JET GAUGE SET 0.45 - 1.50 MM	1	
13		276230	ECU tester For Dellorto ECU	1	
14		276231	WIRING HARNESS TESTER	1	

17 ACCESSORIES



2



1



3



4



6

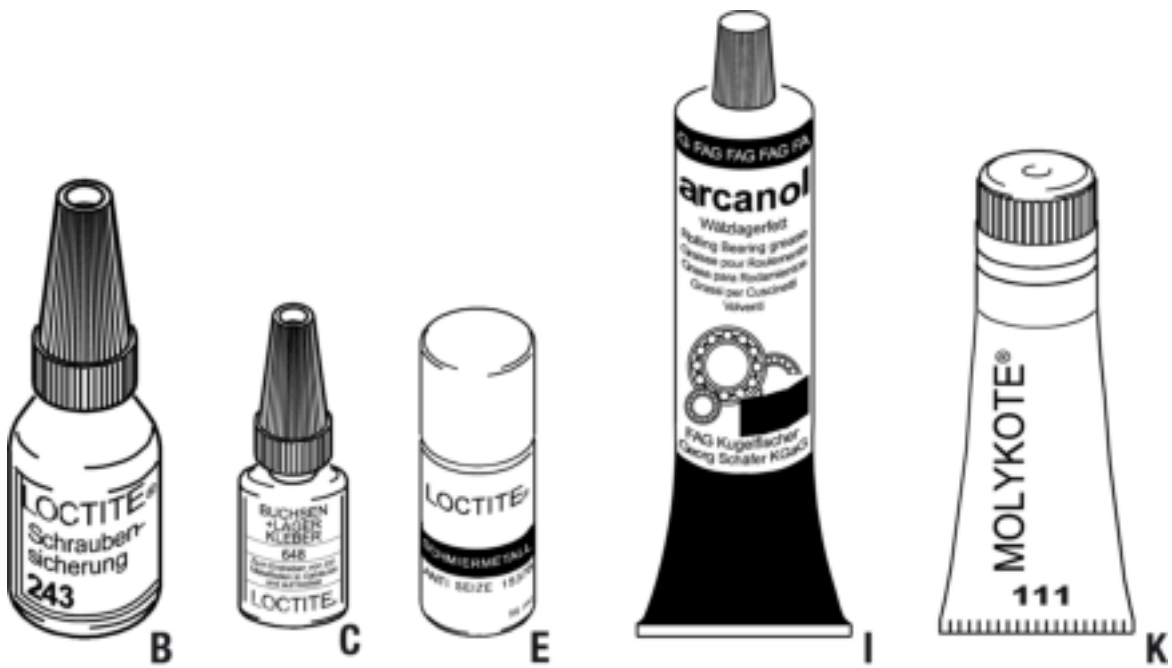


5

17 ACCESSORIES

#	NEW	PART#	DESCRIPTION	QTY	CHANGE
1	N	276103	DIGITAL TIRE PRESSURE GAUGE	1	
2		581381	DIGITAL HOURMETER ROTAX	1	
3		581385	SYRINGE 60 ML	1	
4		276220	JET HOLDER ROTAX	1	
5		282880	FOLDABLE BOX 430X362X295 INSIDE	1	
6		282885	CORNER PROTECTOR PADS	8	

18 SERVICE PRODUCTS



18 SERVICE PRODUCTS

#	NEW	PART#	DESCRIPTION	QTY	CHANGE
1		897651	LOCTITE 243 BLUE. 10 CC. Illustration letter B	0.01	
2		899788	LOCTITE 648 GREEN. 5 GR. Illustration letter C	0.01	
3		297434	LOCTITE ANTI SEIZE 15378 50 ML. Illustration letter E	0.01	
4		897330	LITHIUM-BASE GREASE. 250 GR.. Illustration letter I	0.01	
5		897161	MOLYKOTE 111. 100 GR Illustration letter K	0.01	